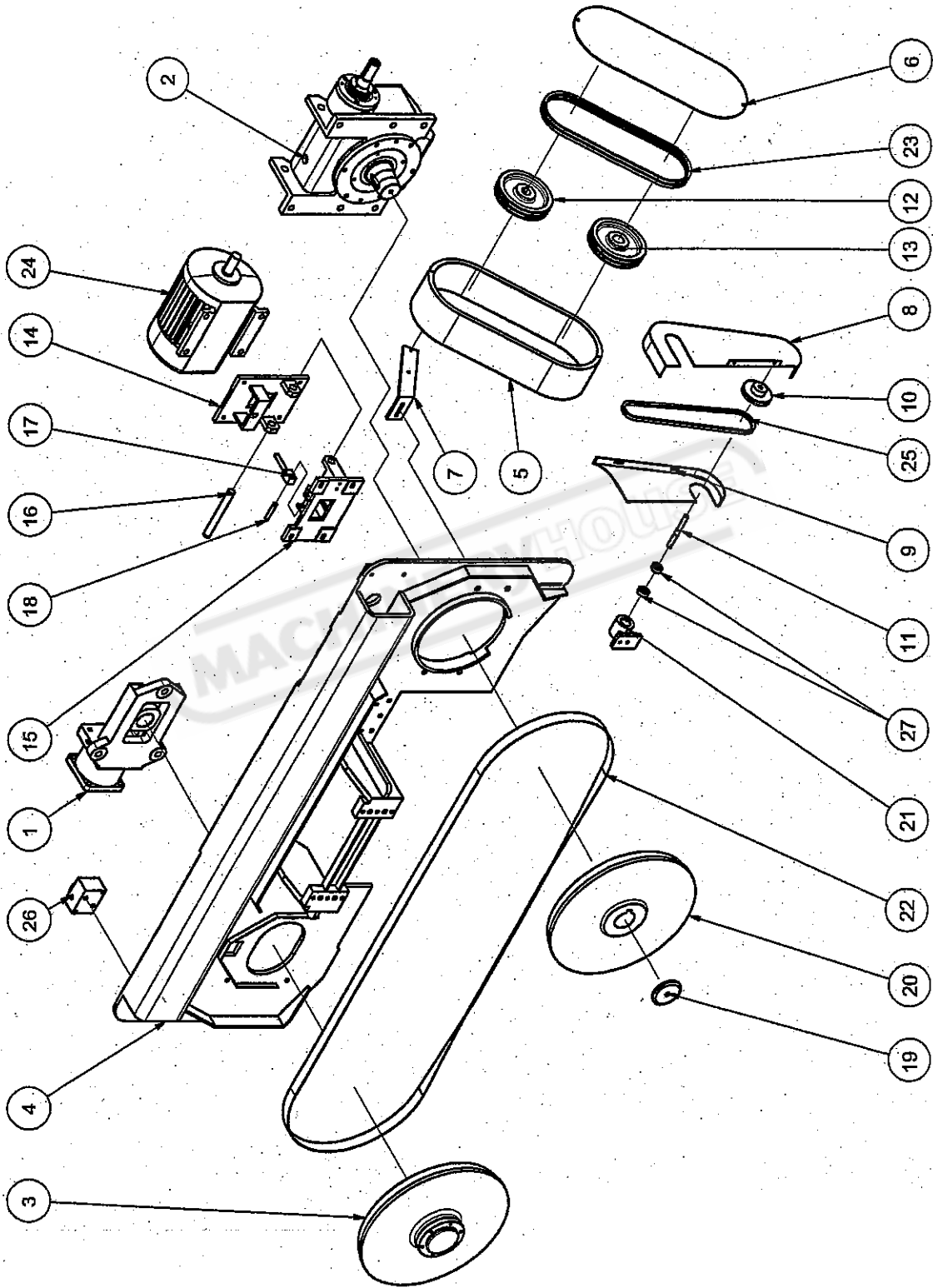


A010002

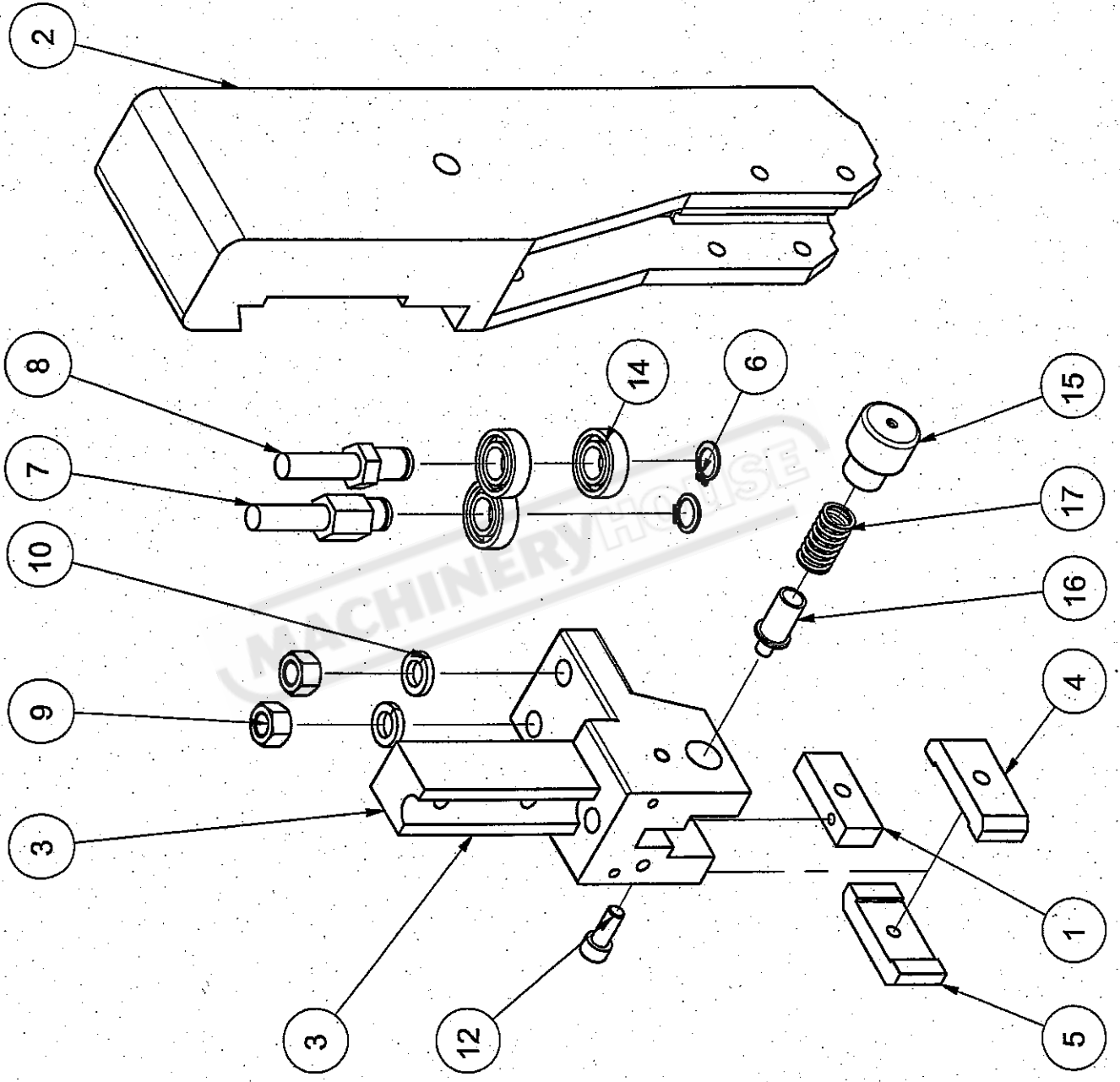


▽▽▽	▽▽	▽	~
0.2/▽	1.5/▽	6.3/▽	25/▽

NO	QTY	TYPE	DESCRIPTION	NO	QTY	TYPE	DESCRIPTION
1	1	A032001	TENSION BASE UNIT	26	1		VALVE
2	1	A010070	GEAR BOX UNIT	27	2	6201	BALL BEARING
3	1	A022017	DRIVED WHEEL UNIT				
4	1	B01010100	SAW BOW				
5	1	B01011400	PULLEY COVER				
6	1	B01011400-2					
7	1	B01011700	FIXING PLATE				
8	1	B01011800	PULLEY COVER				
9	1	B01011900	BACK COVER				
10	1	B02022100	PULLEY				
11	1	B02022200	SHAFT				
12	1	B02120100	PULLEY				
13	1	B02120200	PULLEY				
14	1	B02120301	MOTOR STAND				
15	1	B02120401	BASE				
16	1	B02120500	SHAFT				
17	1	B02120600	ADJUSTING SCREW				
18	1	B02120700	PIN				
19	1	B02043300	WASHER				
20	1	H02240300	DRIVING WHEEL				
21	1	H03221800	BASE				
22	1	SW-34Wx3920x1.1E	SAW BLADE				
23	2	3V x 450	BELT				
24	1	5HP	MOTOR				
25	1	3M x 375L	BELT				

A010002 SAW BOW

A010004

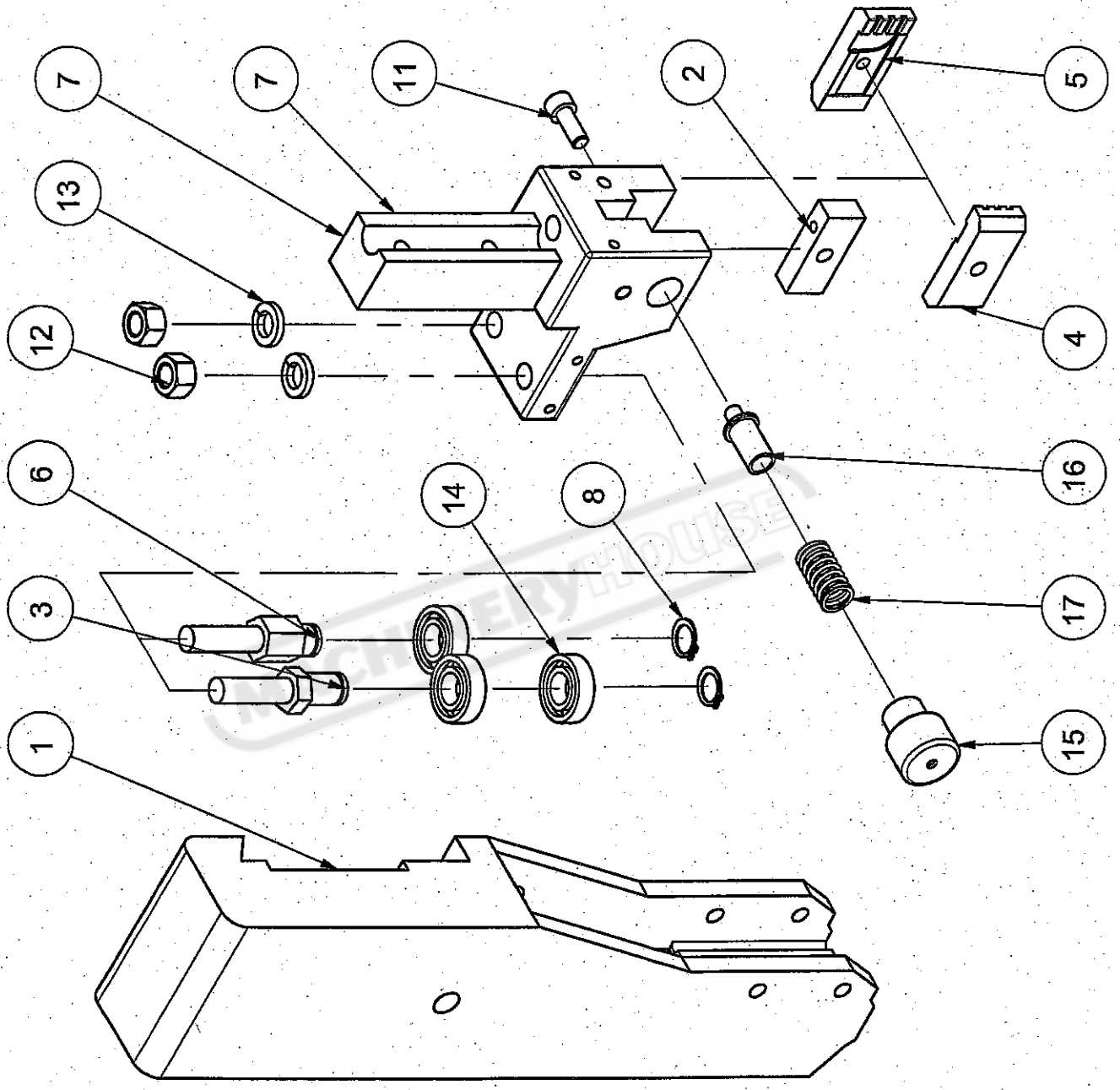


0.2	1.6	6.3	25	∇

NO	QTY	TYPE	DESCRIPTION	NO	QTY	TYPE	DESCRIPTION
1	1	B02041100	UPPER CARBIDE FIXTURE				
2	1	B01041200	RIGHT GUIDE ARM				
3	1	H02242500	RIGHT GUIDE WHEEL BASE				
4	1	H02241401	RIGHT FRONT CARBIDE FIXTURE				
5	1	H02241501	RIGHT BACK CARBIDE FIXTURE				
6	2	φ 15	C TYPE RETAINING RING				
7	1	H02241900	LONG ECCENTRIC SHAFT				
8	1	B02044100	SHORT ECCENTRIC SHAFT				
9	2	M12	HEXAGON NUT				
10	2	M12	WASHER				
11	1	M8 x 10	HEX SOCKET CAP SCREW				
12	1	M8 x 20	HEX SOCKET CAP SCREW				
13	1	φ 8 x 60L	STRAIGHT PIN				
14	3	6002	BALL BEARING				
15	1	B02042300	NUT				
16	1	B02042400	PIN				
17	1	DIAMETER 13	COMPRESSED SPRING				
18							
19							
20							
21							
22							
23							
24							
25							

A010004 RIGHT GUIDE WHEEL BASE

A010005



▽▽▽	▽▽	▽	~
0.2/▽	1.6/▽	6.3/▽	25/▽

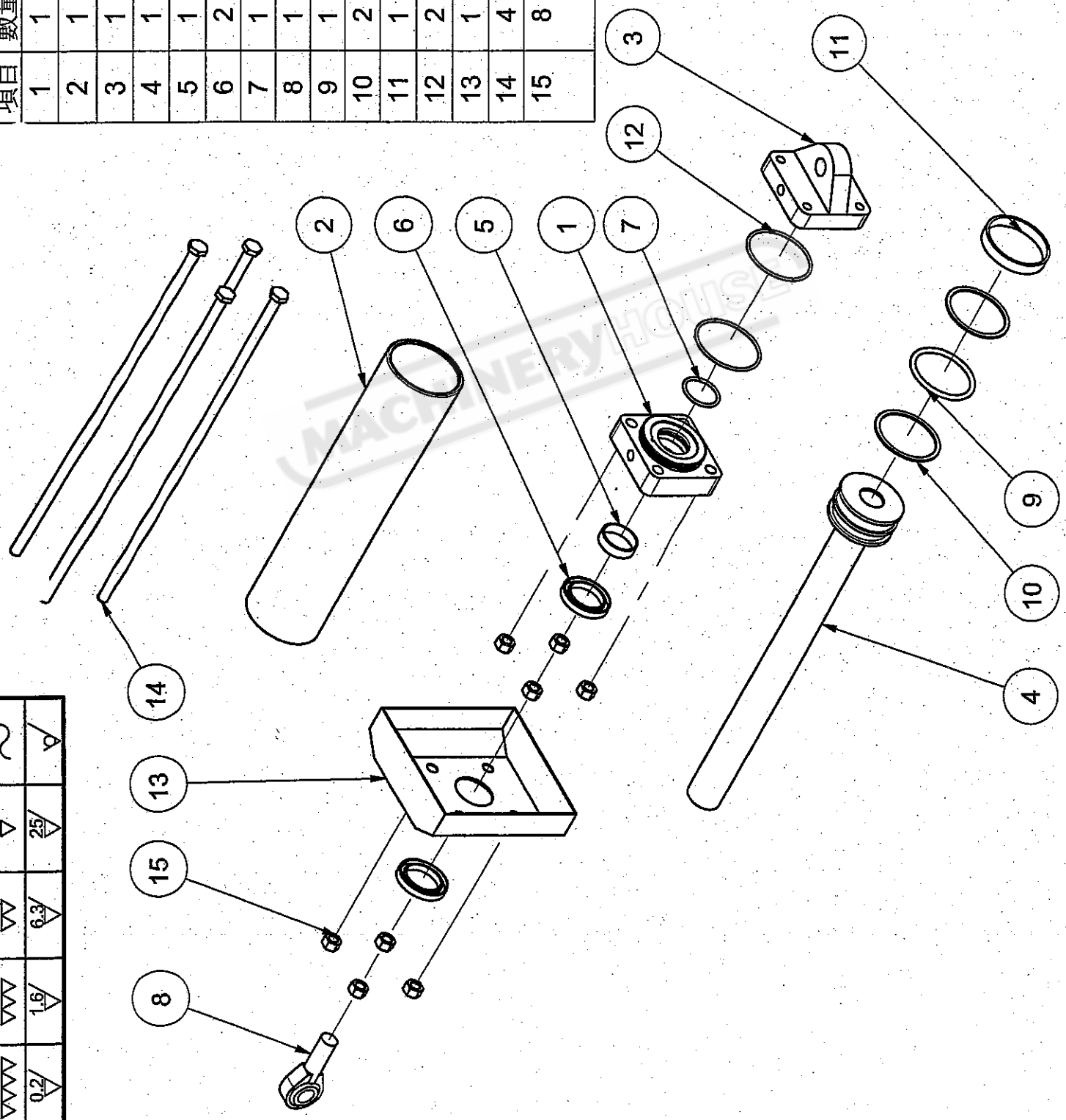
NO	QTY	TYPE	DESCRIPTION	NO	QTY	TYPE	DESCRIPTION
1	1	B01041100	LEFT GUIDE ARM				
2	1	B02041100	UPPER CARBIDE FIXTURE				
3	1	B02044100	SHORT ECCENTRIC SHAFT				
4	1	H02241201	LEFT FRONT CARBIDE FIXTURE				
5	1	H02241301	LEFT BACK CARBIDE FIXTURE				
6	1	H02241900	LONG ECCENTRIC SHAFT				
7	1	H02242600	LEFT GUIDE WHEEL BASE				
8	2	ϕ 15	C TYPE RETAINING RING				
9	1	ϕ 8 x 60L	STRAIGHT PIN				
10	1	M8 x 10	HEX SOCKET CAP SCREW				
11	1	M8 x 20	HEX SOCKET CAP SCREW				
12	2	M12	HEXAGON NUT				
13	2	M12	WASHER				
14	3	6002	BALL BEARING				
15	1	B02042300	NUT				
16	1	B02042400	PIN				
17	1	DIAMETER 13	COMPRESSED SPRING				
18							
19							
20							
21							
22							
23							
24							
25							

A010005 LEFT GUIDE WHEEL BASE

項目	數量	零件號碼	品名
1	1	B01062000	抬昇上蓋
2	1	B01062100	抬昇油缸
3	1	B01062200	抬昇下蓋
4	1	B01062300	抬昇活塞
5	1	2DU4012	自潤軸承
6	2	4TC58-40-8	油封
7	1	P40	O型環
8	1	POS20	
9	1	P70	O型環
10	2	背托環P70	背托環
11	1	E-MWP80	耐磨環
12	2	G75	O型環
13	1	B01011600	抬昇隔水封板
14	4	H02260200	抬升拉桿螺絲
15	8	JIS B.1181 - A M12	六角螺帽 - 型式 1

A010006 抬昇缸組爆炸圖

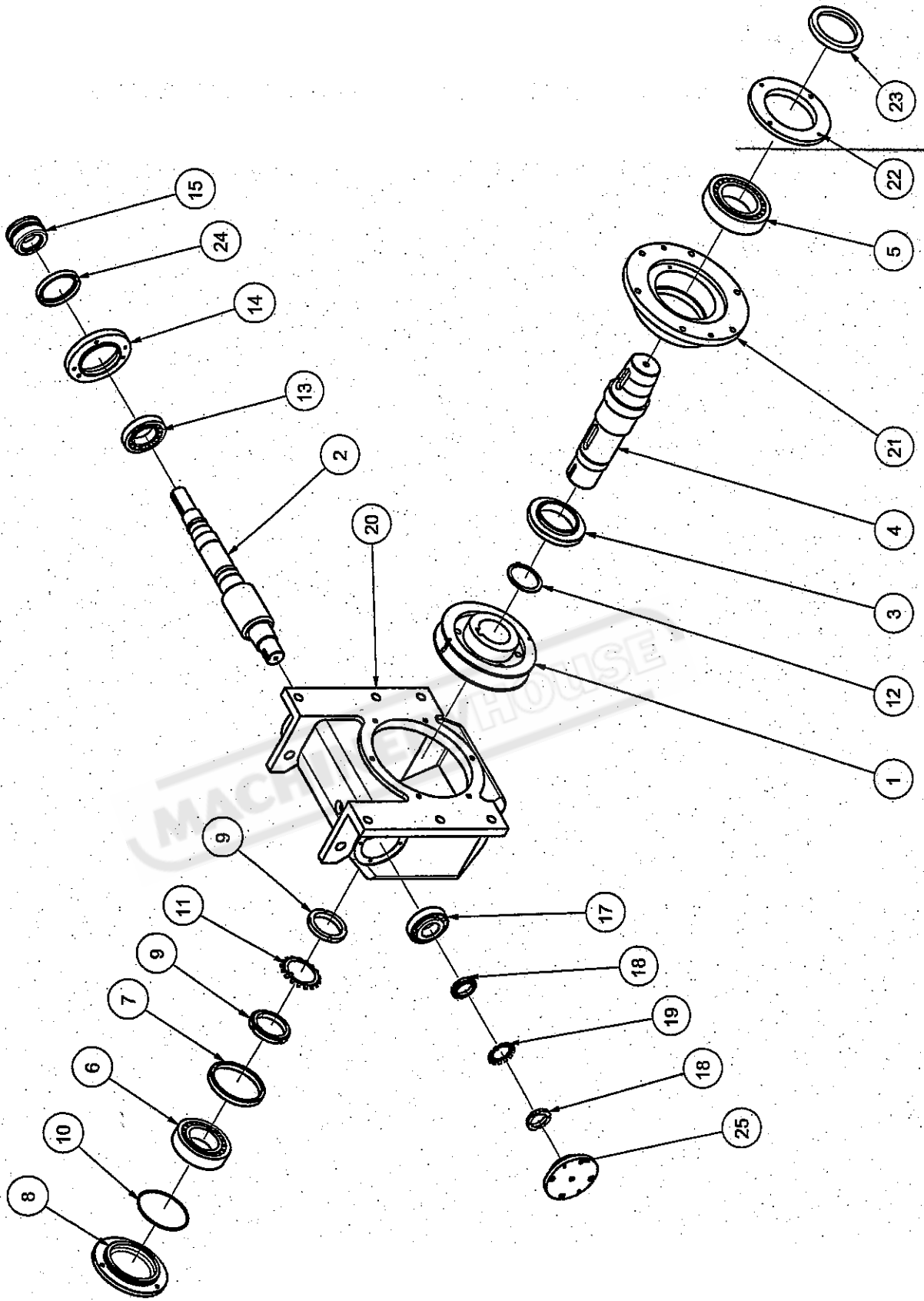
▽▽▽	▽▽	▽	~
0.2	1.6	6.3	25
▽	▽	▽	▽



NO	QTY	TYPE	DESCRIPTION	NO	QTY	TYPE	DESCRIPTION
1	1	B01062000	UPPER COVER				
2	1	B01062100	CYLINDER				
3	1	B01062200	UNDER COVER				
4	1	B01062300	PISTON				
5	1	2DU4012	LUBRICATING BEARING				
6	2	4TC58-40-8	OIL SEAL				
7	1	P40	O RING				
8	1	POS20	ROD BEARING				
9	1	P70	O RING				
10	2	P70	BACKING UP RING				
11	1	E-MWP80	WEARABLE RING				
12	2	G75	O RING				
13	1	B01011600	PLATE				
14	4	H02260200	SCREW				
15	8	JIS B 1181-AM12	HEXAGON NUT				
16							
17							
18							
19							
20							
21							
22							
23							
24							
25							

A010006 LIFTING CYLINDER UNIT

A010007

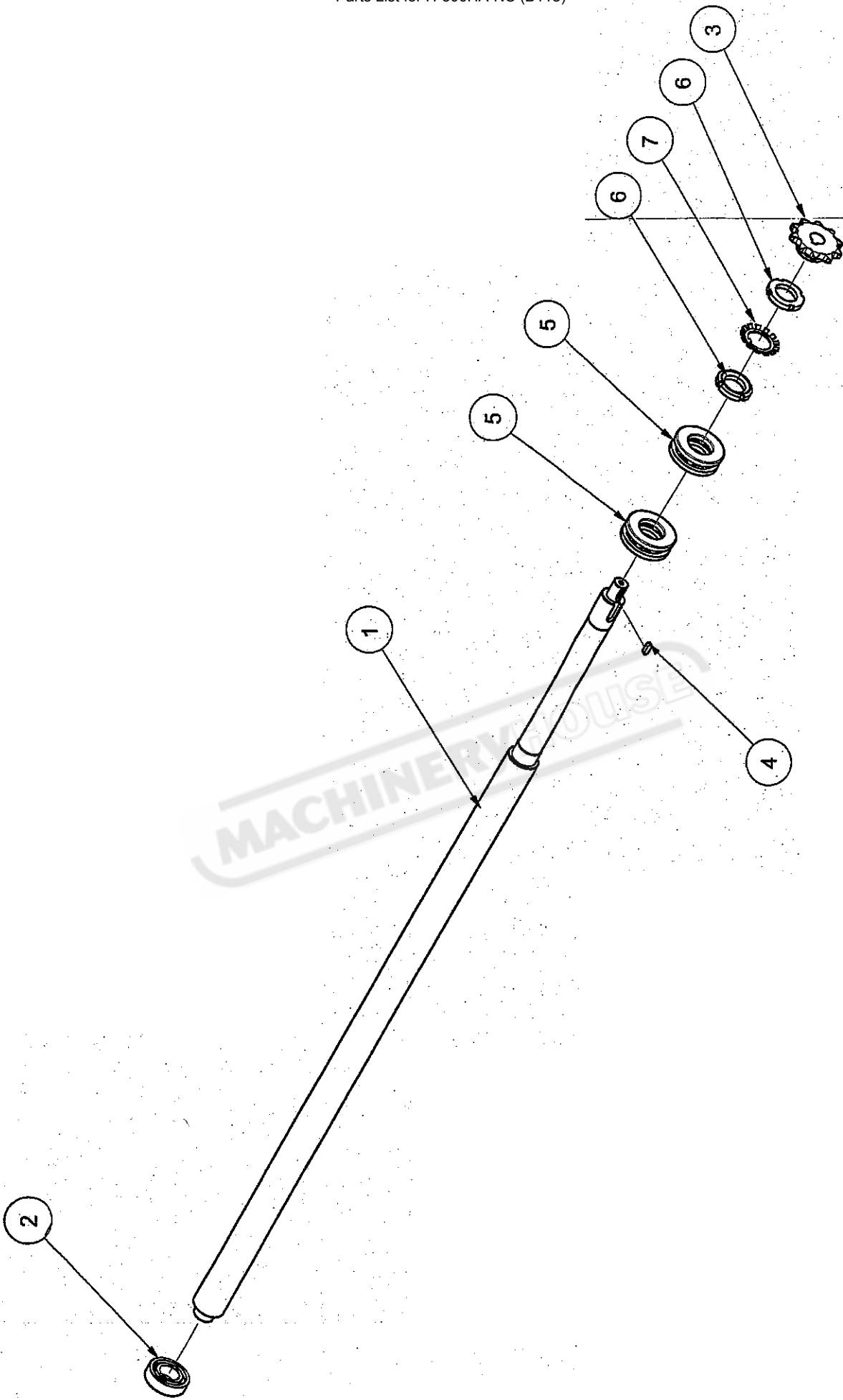


▽▽▽	▽▽	▽	~	▽
0.2	0.3	0.5	0.7	1.0

NO	QTY	TYPE	DESCRIPTION	NO	QTY	TYPE	DESCRIPTION
1	1	B01020500	WORM GEAR				
2	1	B01020400	OUTPUT SHAFT				
3	1	B02020900	BEARING SLEEVE				
4	1	B02020100	SHAFT				
5	1	22215	BEARING				
6	1	22212	BEARING				
7	1	B02021000	BEARING SLEEVE				
8	1	B02020700	UNDER COVER				
9	2	AN12	NUT				
10	1	G100	O RING				
11	1	AW12	GASKET				
12	1	ϕ 65 x 2.5t	C TYPE RETAINING RING				
13	1	3020913	BEARING				
14	1	B02021200	BEARING COVER				
15	1	B02021300	NUT				
16	1	6909	BEARING				
17	1	3030713	BEARING				
18	2	AN07	NUT				
19	1	AW07	GASKET				
20	1	B01020600	GEAR BOX				
21	1	B01020700	UPPER COVER				
22	1	B02020800	OIL SEAL COVER				
23	1	4TC85-110-13	OIL SEAL				
24	1	4TC65-85-10	OIL SEAL				
25	1	B01020800	BACK COVER				

A010007 GEAR BOX UNIT

A010008



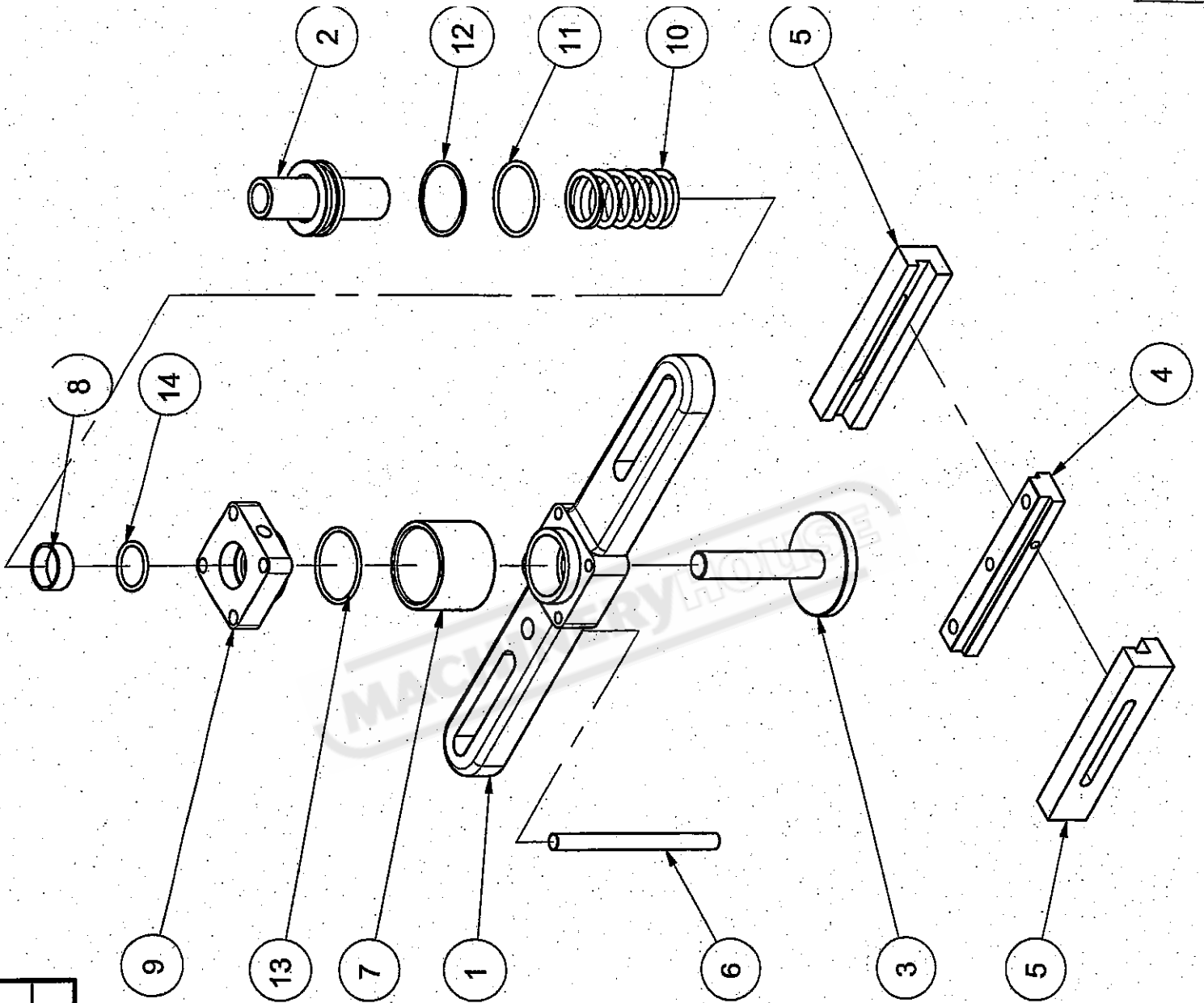
▽▽▽▽	▽▽	▽▽	▽	~
0.2/▽	1.6/▽	6.3/▽	25/▽	▽

MACHINERY HOUSE

NO	QTY	TYPE	DESCRIPTION	NO	QTY	TYPE	DESCRIPTION
1	1	B01032300	SCREW				
2	1	6004	BALL BEARING				
3	1	B02132100	CHAIN WHEEL				
4	1	5 x 5 x 15	ROUND KEY				
5	2	51305	BEARING				
6	2	AN05-JIS B 1554	NUT				
7	1	AW05	GASKET				
8							
9							
10							
11							
12							
13							
14							
15							
16							
17							
18							
19							
20							
21							
22							
23							
24							
25							

A010008 SCREW

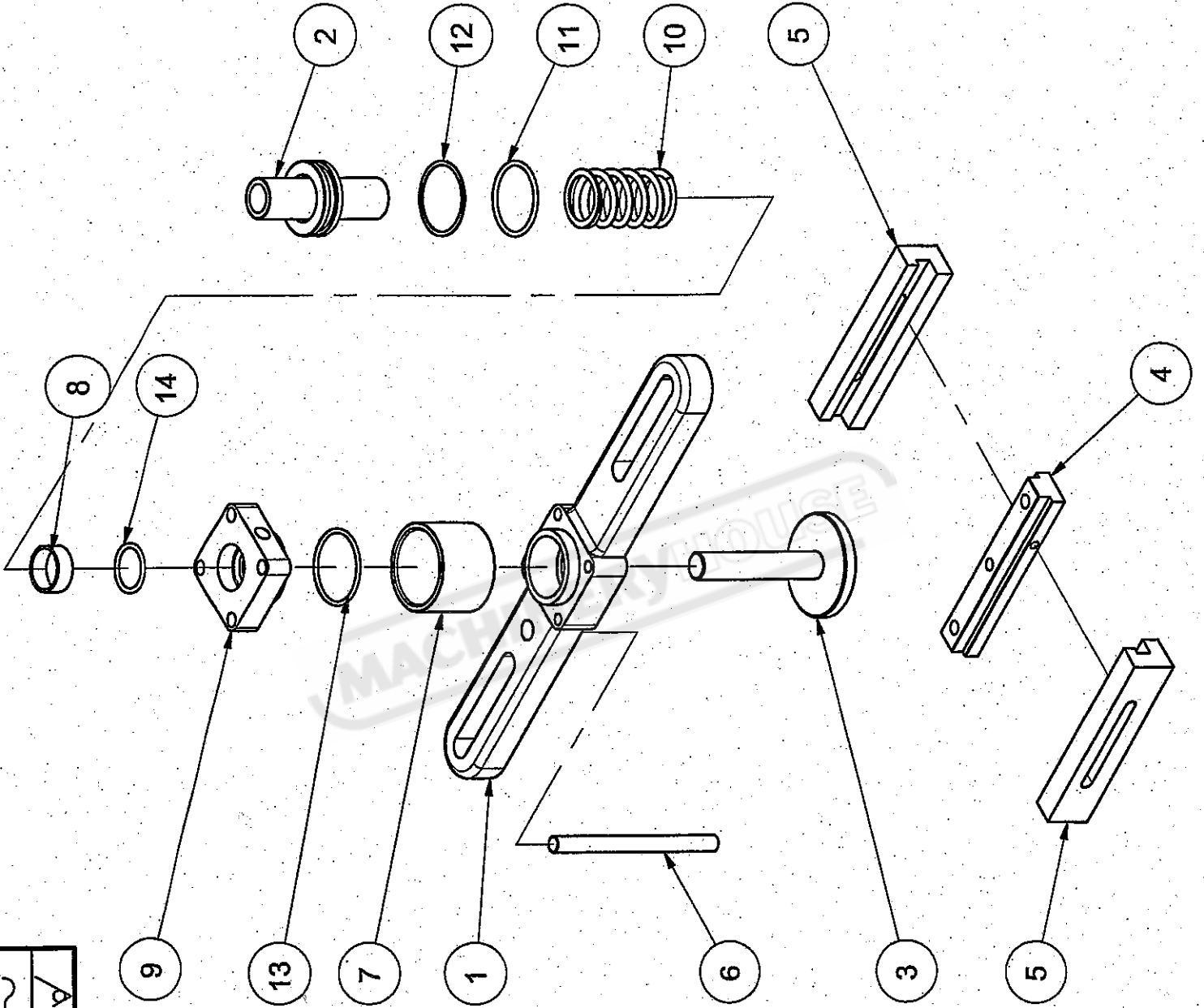
A010009



▽▽▽▽	▽▽▽	▽▽	▽	~
0.2/▽	1.6/▽	6.3/▽	25/▽	▽

NO	QTY	TYPE	DESCRIPTION	NO	QTY	TYPE	DESCRIPTION
1	1	B01060600	BASE (LONG)				
2	1	B01060900	PISTON ROD				
3	1	B01061000	ADJUSTING DISK				
4	1	B02140200	BLOCK				
5	2	B02140700	FLEXIBLE BLOCK				
6	1	B01032700	GUIDE ROD				
7	1	B01060700	CYLINDER				
8	2	2DU3012	LUBRICATING BEARING				
9	1	B01060800	BACK COVER				
10	1	DIAMETER 33	COMPRESSED SPRING				
11	1	P49	O RING				
12	1	P49	BACKING UP RING				
13	1	G50	O RING				
14	1	P30	O RING				

A010009 VERTICAL PRESS DEVICE (LONG)

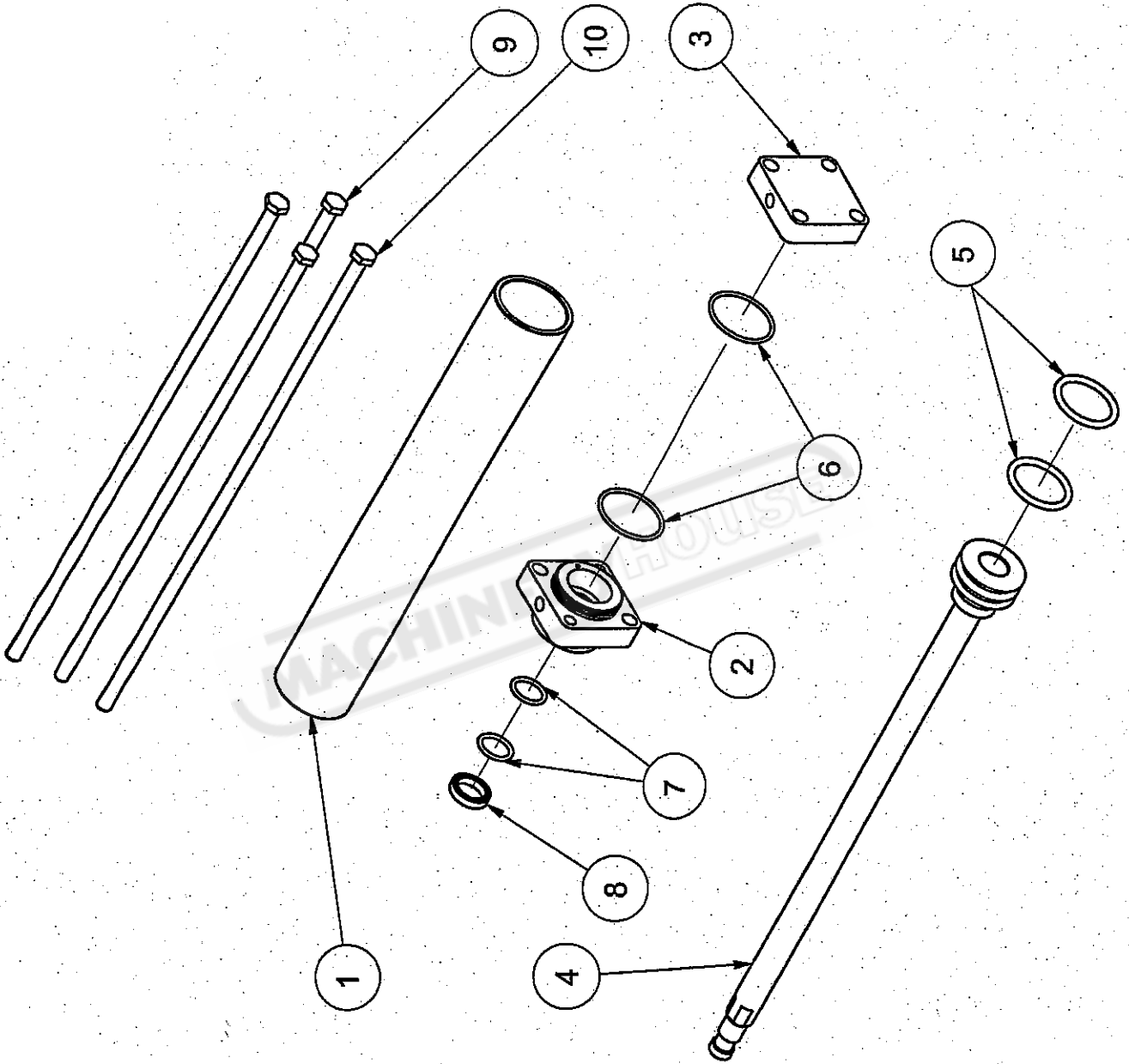


	0.2		1.6		6.3		25	
--	-----	--	-----	--	-----	--	----	--

NO	QTY	TYPE	DESCRIPTION	NO	QTY	TYPE	DESCRIPTION
1	1	B01061200	BASE (SHORT)				
2	1	B01060900	PISTON ROD				
3	1	B01061000	ADJUSTING DISK				
4	1	B02140200	BLOCK				
5	2	B02140700	FLEXIBLE BLOCK				
6	1	B01032700	GUIDE ROD				
7	1	B01060700	CYLINDER				
8	2	2DU3012	LUBRICATING BEARING				
9	1	B01060800	BACK COVER				
10	1	DIAMETER 33	COMPRESSED SPRING				
11	1	P49	O RING				
12	1	P49	BACKING UP RING				
13	1	G50	O RING				
14	1	P30	O RING				

A010010 VERTICAL PRESS DEVICE (SHORT)

A010011

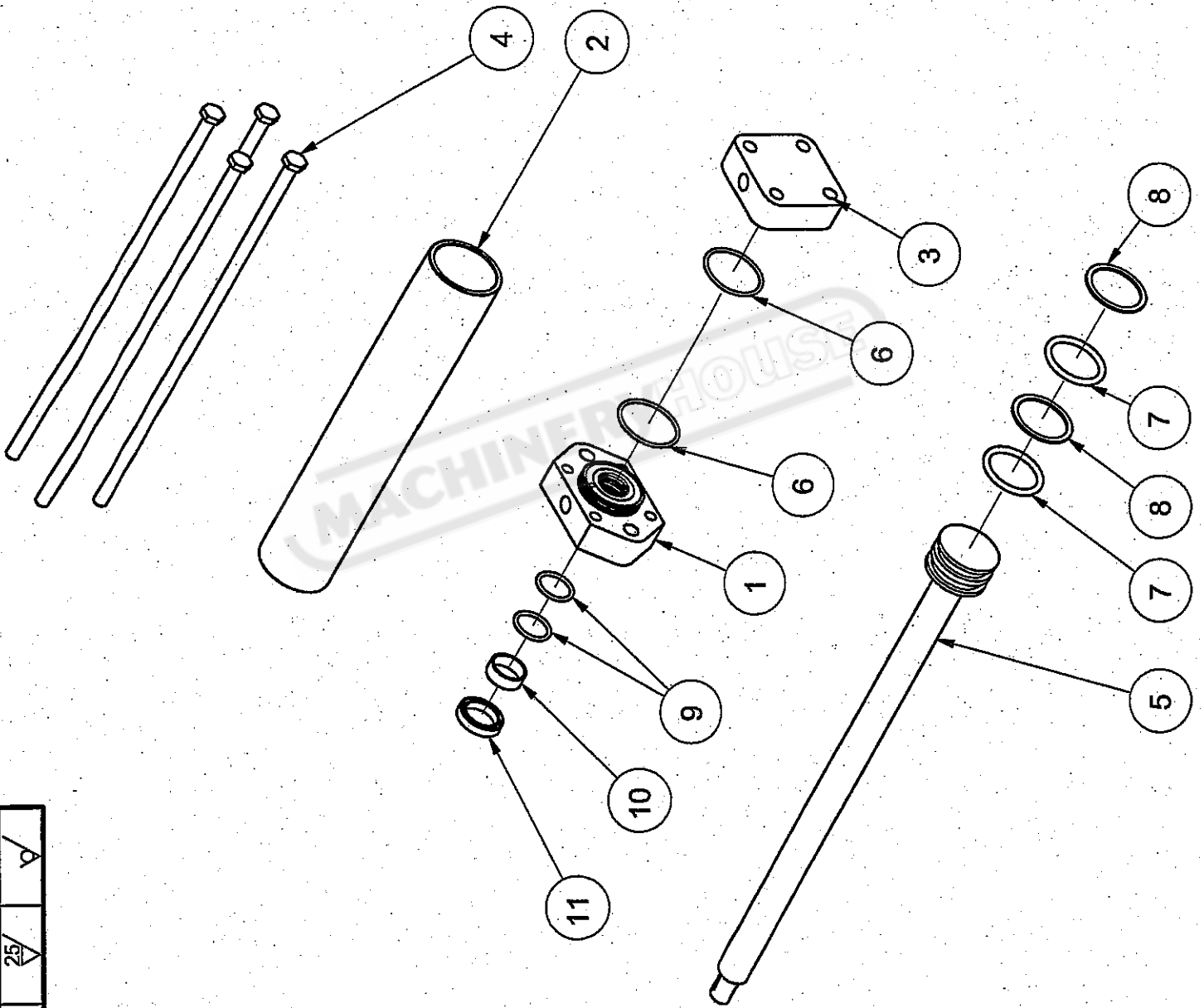


▽▽▽▽	▽▽	▽	~
0.2/▽	1.6/▽	6.3/▽	25/▽

NO	QTY	TYPE	DESCRIPTION	NO	QTY	TYPE	DESCRIPTION
1	1	B01062400	CYLINDER				
2	1	H03262200	FRONT COVER				
3	1	H03262100	BACK COVER				
4	1	B01060300	PISTON				
5	2	P50A	O RING				
6	2	G55	O RING				
7	2	P25	O RING				
8	1	D35-d25-B7	OIL SEAL				
9	2	B02063000	SCREW				
10	2	B02162300	SCREW				
11							
12							
13							
14							
15							
16							
17							
18							
19							
20							
21							
22							
23							
24							
25							

A010011 FEED CYLINDER UNIT

A010012



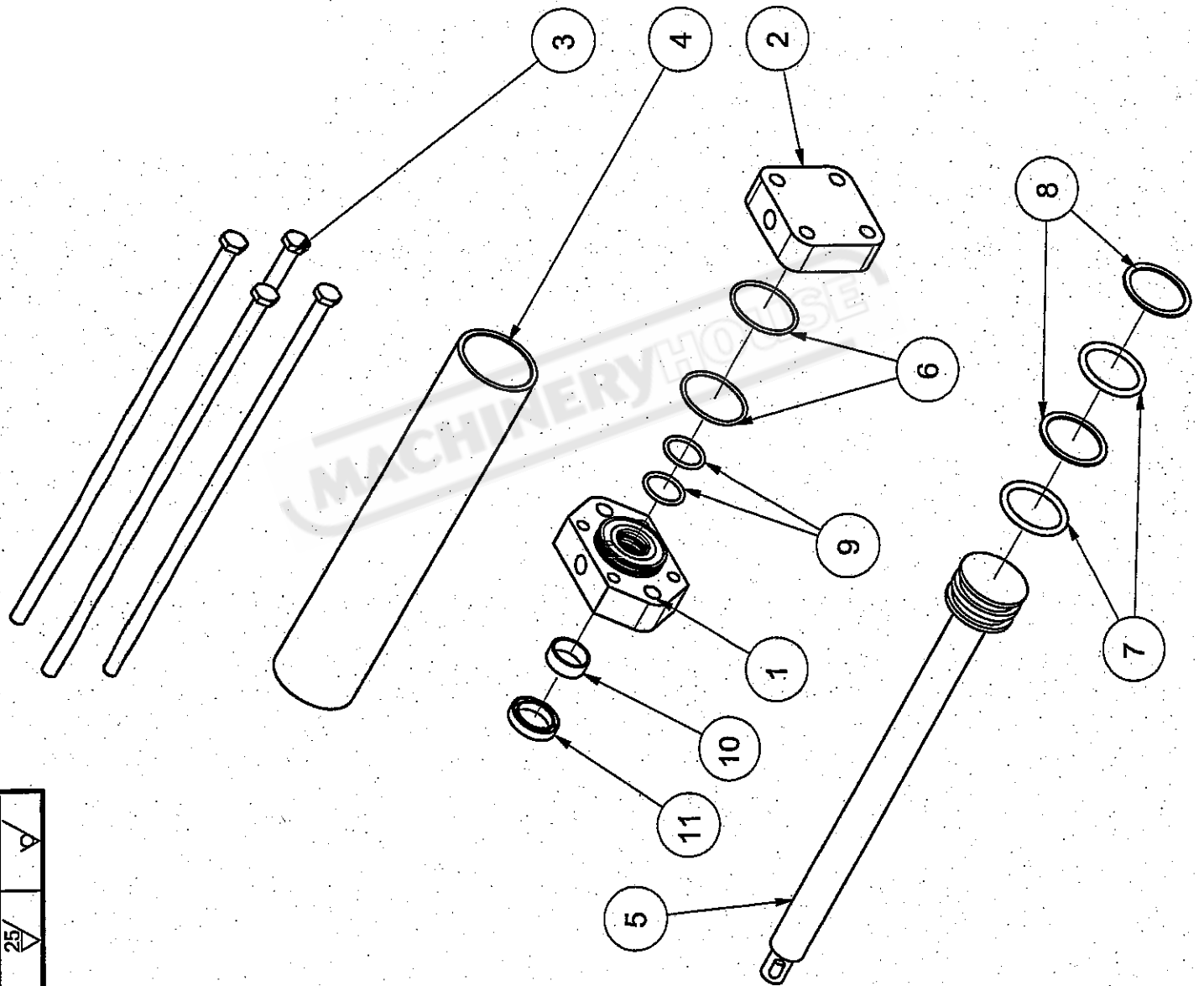
0.2	1.6	6.3	25	

NO	QTY	TYPE	DESCRIPTION	NO	QTY	TYPE	DESCRIPTION
1	1	B01061100	FRONT COVER				
2	1	B01060400	CYLINDER				
3	1	B02062000	BACK COVER				
4	4	B01061300	SCREW				
5	1	B01060100	PISTON				
6	2	G55	O RING				
7	2	P50A	O RING				
8	2	TP50A	BACKING UP RING				
9	2	P30	O RING				
10	1	2DU3012	LUBRICATING BEARING				
11	1	D42-d30-B8	OIL SEAL				
12							
13							
14							
15							
16							
17							
18							
19							
20							
21							
22							
23							
24							
25							

A010012 CYLINDER UNIT OF FEED VISE

A010013

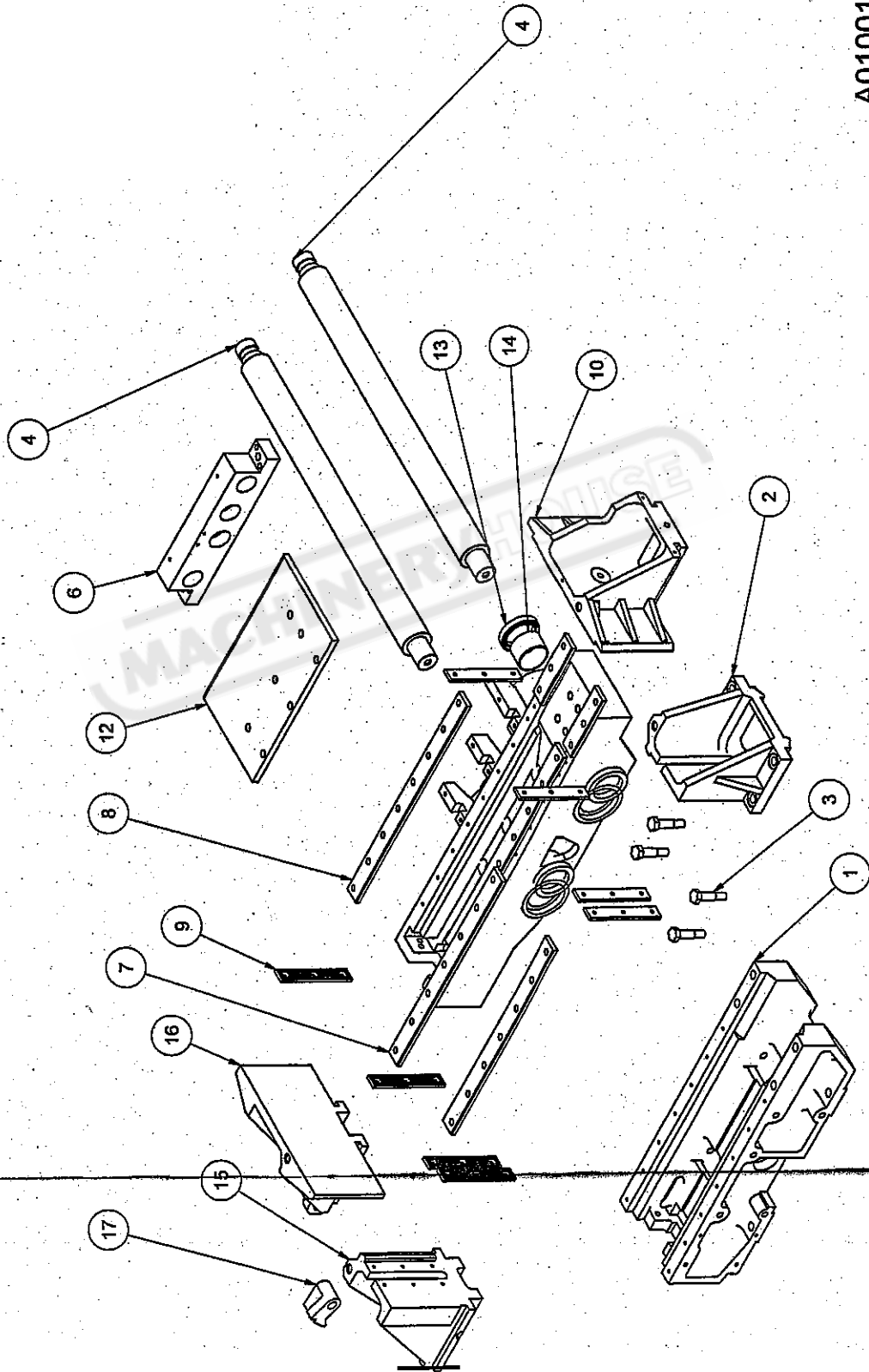
0.2	1.6	6.3	25	∇



NO	QTY	TYPE	DESCRIPTION	NO	QTY	TYPE	DESCRIPTION
1	1	B01061100	FRONT COVER				
2	1	B02062000	BACK COVER				
3	4	B01061300	SCREW				
4	1	B01060500	CYLINDER				
5	1	B01060200	PISTON				
6	2	G55	O RING				
7	2	P50A	O RING				
8	2	TP50A	BACKING UP RING				
9	2	P30	O RING				
10	1	2DU3012	LUBRICATING BEARING				
11	1	D42-d30-B8	OIL SEAL				
12							
13							
14							
15							
16							
17							
18							
19							
20							
21							
22							
23							
24							
25							

A010013 CYLINDER UNIT OF TABLE VISE

A010015



▽▽▽	▽▽	▽	~	▽
0.2	1.5	6.3	25	▽

NO	QTY	TYPE	DESCRIPTION	NO	QTY	TYPE	DESCRIPTION
1	1	B01030100	FIXING TABLE				
2	1	B01031900	FIXING VISE				
3	4	B02130700	SCREW				
4	2	B01030700	SLIDE RAIL				
5	1	B01030800	MOVABLE TABLE				
6	1	B01031000	BASE				
7	2	B01030500	WEARABLE PLATE				
8	2	B01032600	WEARABLE PLATE				
9	8	B01031200	PLATE				
10	1	B01031400	FLOATING VISE				
11	2	B01032500	PLATE				
12	1	B01030300	PLATE				
13	4	D82-d60-B12	OIL SEAL				
14	4	2DU6040	LUBRICATING BEARING				
15	1	B01032900	VISE				
16	1	B01032800	VISE				
17	2	B01033000	HANDLE				
18							
19							
20							
21							
22							
23							
24							
25							

A010015 TABLE UNIT (CRACK MODEL)